

Publication number : 2001-305563

Date of publication of application : 31.10.2001

-----  
Int.Cl. G02F 1/1339 G09F 9/00 H05K 1/14

5 -----

Application number : 2000-123714

Applicant : HITACHI TECHNO ENG CO LTD

Date of filing : 19.04.2000

Inventor :

10 HIRAI AKIRA

HACHIMAN SATOSHI

IMAIZUMI KIYOSHI

SAITO MASAYUKI

ENDO MASATOMO

15 -----

SUBSTRATE ADHESION APPARATUS

[Abstract]

20 PROBLEM TO BE SOLVED: To provide a substrate sticking device which can perform sticking of substrates in a vacuum with high accuracy.

SOLUTION: In the substrate sticking device which sticks both substrates in a vacuum with an adhesive provided in at least either of substrates by disposing to face the substrates to be stuck while holding vertical, respectively, and narrowing an interval while performing positioning, a first table which makes one of both  
25 substrates fix on an upper face or on an undersurface freely detachably, and a

second table which makes the other substrate fix on the undersurface of on the upper face freely detachably are provided in a vacuum chamber so that the upper face and the undersurface which make each substrate fix may face each other. One of both tables is movably joined airtightly with the vacuum chamber through an elastic body and the one table is provided with a driving means which moves to an atmospheric side of the vacuum chamber divided by the elastic body at least in a horizontal direction to the vacuum chamber. The other table is provided with the driving means which at least narrows the interval between the substrates.

[Claim(s)]

[Claim 1] A substrate adhesion apparatus which holds substrates to be adhered to be faced up and down to each other, narrows a spacing while positioning and adheres both substrate in a vacuum with an adhesive applied to at least several substrates, wherein it has a first table which fixes either side of both substrates to a surface or a lower face to be attached and detached freely and a second table which fixes another side of both substrates to a lower face or a surface to be attached and detached freely to be faced to a surface or a lower face which fixes each substrates in a vacuum chamber so that one of both tables is combined with the vacuum chamber to be movable airtightly through an elastic body, this table has the driving means horizontally moved to the atmospheric side of the vacuum chamber divided with said elastic body, while at least one of both tables has a driving means which narrows a spacing in which the substrates are faced with each other.

[Claim 2] The substrate adhesion apparatus of claim 1, wherein the driving means of one table moves one table through a linear guide in the vacuum chamber, and a folding box-like elastic body between the vacuum chamber and the linear guide and a vacuum seal and bearing in the atmospheric side divided with said

elastic body are formed.

[Claim 3] The substrate adhesion apparatus of claim 1, wherein one table is a lower table in the vacuum chamber.

[Claim 4] The substrate adhesion apparatus of claim 1, wherein one table has  
5 a perpendicular driving means which narrows a spacing between the substrates,  
and a driving means of another table shares only a horizontal driving.

[Claim 5] The substrate adhesion apparatus of claim 1, wherein a reserve  
chamber and an atmosphere releasing chamber are provided before and after the  
vacuum chamber, each chambers are divided with the gate valve and are in  
10 communication with the atmosphere by an opening of the gate valve to convey the  
substrate.

[Title of the invention]

## SUBSTRATE ADHESION APPARATUS

[Detailed Description of the Invention]

[Field of the Invention]

5           The present invention relates to a substrate adhesion apparatus, in particular, a substrate adhesion equipment suitable to assemble a liquid crystal display panel and the like which holds substrates to be adhered to be faced in a vacuum chamber and narrows a spacing to adhere the substrates.

[Description of the Prior Art]

10           In manufacturing a liquid crystal display panel, there is a process which adheres two glass substrates having mounted a transparent electrode and thin film transistor array with an adhesive (henceforth called a sealing agent) applied to the periphery section of a substrate with a spacing closed extremely of about several  $\mu\text{m}$  (henceforth, the substrate after adhesion is called a cell) to seal a liquid crystal  
15 in a space formed.

          There is a process proposed by JP 10-26763-A in which drops a liquid crystal on one substrate patterned with a pattern closed with a sealing agent without equipping with an inlet in the seal of the liquid crystal, arranges one

substrate on another substrate in a vacuum chamber and approaches the upper and lower substrates to adhere them.

[Problem to be Solved by the Invention]

In the above prior art, the lower substrate lays a maintenance of the substrate in a vacuum in a flat stage, however, the upper substrate supports a suitable part of the periphery by a member and the like on a pin. Then, the upper and lower substrates narrow a spacing to perform the adhesion after positioning each other, however, when positioning, a center section of the upper substrate is bent by gravity, the exact positioning of the upper and lower substrates is difficult, and the amount of bending increases more and more as a size of the substrate increases so that a display panel tends to be large sized, and accordingly, the exact adhesion of the substrates becomes more difficult in the above prior art.

There is a problem that, because the upper and lower substrates are conveyed directly in a vacuum chamber and the inside of the chamber is exhausted from atmospheric pressure to a vacuum to increase the exhaust time, it is impossible to improve the productivity.

Therefore, the purpose of the present invention is to provide a substrate adhesion apparatus which can perform an adhesion of the substrate in a vacuum at higher precision.

Another purpose of the invention is to provide a substrate adhesion apparatus of high productivity which can perform an adhesion of the substrates at higher pressure and higher speed although the substrates are large sized.

[Means for Solving the Problem]

5           A feature of the present invention to achieve the above-mentioned purpose is to provide a substrate adhesion apparatus which holds substrates to be adhered to be faced up and down each other, narrows a spacing while positioning and adheres both substrate in a vacuum with an adhesive applied to at least several substrates, wherein it has a first table which fixes either side of both substrates to  
10   to a surface or a lower face to be attached and detached freely and a second table which fixes another side of both substrates to a lower face or a surface to be attached and detached freely to be faced to a surface or a lower face which fixes each substrates in a vacuum chamber so that one of both tables is combined with the vacuum chamber to be movable airtightly through an elastic body, this table has  
15   the driving means horizontally moved to the atmospheric side of the vacuum chamber divided with said elastic body, while at least one of both tables has a driving means which narrows a spacing in which the substrates are faced each other.

Also, the present invention is characterized in that the driving means of one

table moves one table through a linear guide toward the vacuum chamber, while an elastic body between the vacuum chamber and the linear guide and a vacuum seal and bearing in the atmospheric side divided with said elastic body are mounted. And, the elastic body is a folding box-like elastic body such as things which bonds  
5 the periphery edges each other and inner circumference edges each other of bellows or things which bond a plurality of round dish-shaped diaphragms in turn airtightly

Another feature of the present invention is that one table is a table placed in the lower part within the vacuum chamber.

10 Another feature of the present invention is that one table has a perpendicular driving means which narrows a spacing between the substrates, and a driving means of another table shares only a horizontal driving.

Another feature of the present invention is that a reserve chamber and an atmosphere releasing chamber are provided before and after the vacuum chamber,  
15 each chambers are divided with the gate valve and are in communication with the atmosphere by an opening of the gate valve to convey the substrate.

#### [Embodiment of the Invention]

Hereafter, an embodiment of the present invention is explained referring to the drawings. In the Fig. 1, the reference 1 is a substrate adhesion apparatus and it



has a reserve vacuum chamber R1, a vacuum adhesion chamber (vacuum chamber) R2 and an atmosphere releasing chamber R3. The references 2 to 5 are the gate valves mounted in inlet and outlet of each chambers R1 to R3. Also, in structure explanation, when the reserve vacuum chamber R1, the vacuum adhesion chamber R2 and the atmosphere releasing chamber R3 are called, it means a housing composing each chambers.

In the interior of each chambers R1-R3, a conveyance way which conveys the substrates to be adhered from the left to the right of drawing is located in the same horizontal position, and a concrete configuration is explained in the Fig. 2.

10 As mentioned hereinafter, later, the vacuum adhesion chamber R2 except for the reserve vacuum chamber R1 and the atmosphere releasing chamber R3 is the substrate adhesion apparatus in a narrow sense.

Fig. 2 shows the internal structure of the reserve vacuum chamber R1. 11 is a plurality of conveyance rollers mounted in the interior of the reserve vacuum chamber R1, and conveys the conveyance jig which lays the substrates to be adhered mentioned hereinafter in both right and left directions in the drawing by forward-inverse rotation.

The outer air and the interior of the reserve vacuum chamber R1 can be vacuum interrupted by closing of a gate valve 2. 6 is a gate valve mounted in a

stand of the reserve vacuum chamber R1, and the interior of the reserve vacuum chamber R1 can be vacuum exhausted with a vacuum pump 12 by opening of the gate valve. 7 is an atmosphere releasing valve, and the interior of the reserve vacuum chamber R1 can be purged with atmosphere gas and return it to  
5 atmospheric pressure by opening of the atmosphere releasing valve.

A gate valve 3 is mounted between the reserve vacuum chamber R1 and the vacuum adhesion chamber R2, and the internal pressure of each chambers can be changed independently.

Fig. 3 shows the internal structure of the vacuum adhesion chamber R2.  
10 Although omitted in this drawing, the same valve as the valve 6 of the reserve vacuum chamber is mounted in the lower part of the vacuum adhesion chamber R2 and the interior of this chamber can be vacuum exhausted with the vacuum pump (not shown).

21 is a lower table and the supporting structure is mentioned hereinafter. 22  
15 is a plurality of conveyance rollers mounted in the interior of the vacuum adhesion chamber R2 so that the lower table 21 may be inserted into a front and a rear in drawing, and conveys the conveyance jig which lays the substrates to be adhered mentioned hereinafter in both right and left directions in the drawing by forward-inverse rotation.

In the lower table 21, its plinth section 21a penetrates aperture R2A in the lower part of the vacuum adhesion chamber R2, and the lower table 21 is supported by XY $\Theta$  stage 23 to the plinth section 21a. XY $\Theta$  stage 23 consists of XY stage 23a and  $\Theta$  stage 23b. XY stage 23a is supported movably in the XY direction by upper and lower 2-stage linear guide which crossed the lower table 21 in the XY direction.

25 is a cross linear guide which moves the driving block 24 to X-axial direction which is right and left of drawing and Y-axial direction entations which is front and rear of drawing to the vacuum adhesion chamber R2 by a driving motor (not shown) with a driving motor 26, and 27 is a linear guide in which the driving motor 26 press the driving blok 24 to X-axial direction to be moved, even if the driving block 24 moves to Y-axial direction.

$\Theta$  stage 23b is located in the inside of XY stage 23a, and that it can be rotated to XY stage 23a through vacuum seal 29 with the rotation bearing 28 by a driving motor 30. The lower table 21 carrying the substrates is fixed fixed on  $\Theta$  stage 23b, and when the driving motor 30 operates, the lower table 21 rotates to X-Y stage 23a or the vacuum adhesion chamber R2 through the vacuum seal 29 with the rotation bearing 28.

31 is the bellows (elastic body) mounted between the vacuum adhesion

chamber R2 and the driving block 24 to a perforation R2A and holds the airtight in  
the vacuum adhesion chamber R2 to atmosphere, even if the driving block 24  
moves to the cross linear guide in XY direction to move the the lower table 21. Also,  
to rotation of plinth 21a, the vacuum seal 29 holds the airtight in the vacuum  
5 adhesion chamber R2.

32 is a pin for substrate rising-and falling mounted in the lower table 21, and  
the lower limit of the pin is contacted and attached to the upper limit of the driving  
axis of the pneumatic cylinder 33 mounted in the lower part of the vacuum  
adhesion chamber R2. Therefore, even if the lower table 21 moves in XY direction  
10 of each front, rear, left and right, a pin 32 only slides 33 horizontally on the upper  
limit pin receiving section of the driving axis of the pneumatics cylinder 33. By the  
reasons of the configuration of the conveyance jig mentioned hereinafter, the pins  
32 have a total of three pins, one is located in the left end center section of the  
lower table 21 and each of the others are located in both sides of the width direction  
15 perpendicular to the rightward conveyance direction.

35 is the frame mounted in the upper exterior of the vacuum adhesion  
chamber R2, and a servo motor 36 having the rotation axis extended to the lower  
part is fixed to the frame 35. The rotation axis of the servo motor 36 is screwed with  
the nut 39 fixed to the arm 38 of the shaft 37 penetrating the vacuum adhesion

chamber R2. 40 is a guide holding the airtight of the vacuum adhesion chamber R2 with said shaft 37. The upper table 42 is fixed to the lower limit of the shaft 37 through a pressure plate 41 to be faced to the lower table 21. The upper table 42 moves up and down through the shaft 37 by operation of the servo motor 36.

5           As mentioned hereinafter, in order to carry out a positioning and alignment by fixing the substrates on each tables 21 and 42, there is a glass-made window 43 mounted airtightly in the perforation penetrating the vacuum adhesion chamber R2, and the image recognition camera 44 is mounted in the frame 35 on this window 43. Also, a part of the upper table 42 under directly the window 43 has the perforation,  
10 and the positioning mark of the upper substrate fixed on the lower face of the upper table 42 and the lower substrate fixed on the surface of the lower table 21 can be read now.

Each tables 21 and 42 have an electrode for electrostatic adsorption and are constituted so that adsorption and suction of the substrate with static electricity  
15 may be carried out. Therefore, in the following description, both the tables 21 and 42 may be called the adsorption plates.

Although it is a reason for supporting elastically airtightly the lower table 21 by the bellows 31, when the vacuum adhesion chamber R2 is made to a vacuum, the atmospheric pressure which makes the outer diameter of bellows 31 to a

hydraulic side is applied in the direction pushing up the plinth 21a. A difference of the atmospheric pressure in this case and gravity of the plinth 21a and the like is received with cross linear guide 25 and the rotation bearing 28 and a loading is not provided with the bellows 31. If the atmospheric pressure in this case and gravity of the plinth 21a and the like are made equivalent, it is not needed to recognize the atmospheric pressure applied to the lower table (adsorption plate) 21 or bellows 31 in moving in each of XY direction of the lower table (adsorption plate) 21 upon positioning and aligning the substrates so that positioning and alignment of the substrates can be performed smoothly. Also, since the driving system of the lower table (adsorption plate) 21 exists in the atmosphere, the size of the vacuum adhesion chamber R2 can be limited to the narrow space of the extent containing internally each adsorption plates 21 and 42 required for the adhesion of the upper and lower substrates so that the interior can be exhausted at a high speed.

The vacuum adhesion chamber R2 and the atmosphere releasing chamber R3 can be interrupted each other by the gate valve 4.

Fig. 4 shows the internal structure of the atmosphere releasing chamber R3. 51 is a conveyance roller which loads and carries in the cell adhered to the vacuum adhesion chamber R2 on the flat adsorption plate 52 by forward and inverse rotation. An adsorption hole for vacuum adsorption of the substrates on the flat

adsorption plate 52, and by raising the vacuum suction chamber 53 mounted movably up and down in the interior of the atmosphere releasing chamber R3 to lay and integrate the flat adsorption plate 52, when the atmosphere releasing chamber R3 is opened, it is constituted to carry out vacuum suction of the cell onto the flat  
5 adsorption plate 52 through the vacuum suction chamber 53 by vacuum pulling through a tube 54.

8 is the gate valve mounted in the lower part of the atmosphere releasing chamber R3 and can open the atmosphere releasing chamber R3 to the atmosphere by the atmosphere opening valve 9 while connecting to the vacuum  
10 pump 55.

The rise-and-fall pin 56 which penetrates the vacuum suction chamber 53 with the flat adsorption plate 52 to raise the cell on the flat adsorption plate 52 is mounted in the lower part of the vacuum suction chamber 53. 57 is a pneumatic cylinder which operates the rise-and-fall pin 56. Four pneumatic cylinders 57 are  
15 located in front, rear, left and right of the rise-and-fall pin 56 and support the cell at four corners.

A gate valve 5 located in the outlet of the atmosphere releasing chamber R3 and takes out the cell which pressurized with the atmospheric pressure by valve opening to carry out the adhesion by a robot hand etc.

Next, in a process for adhering the substrates with the present apparatus 1 to manufacturing the cell, a sequential explanation is made from a state which carries in the substrate to the reserve vacuum chamber R1.

In Fig. 5, 14 has a  $\sqcap$ -shaped appearance having removed a side in a flame, and is a conveyance jig which lays the substrates B1, B2 to be adhered in in a lattice, projection and the like of the upper and lower parts of an internal wall in a spacing up and down. The lower substrate (bottom substrate) B1 is one which applies a sealing agent 15 to a frame type at the periphery section of a surface and drops liquid crystal 16 to a plurality of parts within a certain limit. On this substrate B1, a certain spacing from a surface of the substrate B1 is maintained with a projection in the internal wall of the conveyance jig 14 to lay the upper substrate (top substrate).

After opening the gate valve 2 in the state of closing the gate valve 3 is closed to carry in the upper and lower substrates B1, B2 mounted in the conveyance jig to the reserve vacuum chamber R1 14 with the conveyance roller 11, the gate valve 2 is closed. Thereafter, the gate valve 6 is opened to exhaust the reserve vacuum chamber R1 the vacuum pump 12 at a high speed.

At the time of reaching a degree of vacuum of the reserve vacuum chamber R1 to the almost same value as that of the vacuum adhesion chamber R2, the gate



valve 3 is opened to forward rotate the conveyance roller 22 of the vacuum adhesion chamber R2 with the conveyance roller 11 of the reserve vacuum chamber R1 and carry in the conveyance jig 14 in the vacuum adhesion chamber R2. Also, the vacuum adhesion chamber R2 is exhausted by the vacuum pump (not shown) in advance.

Next, in the Fig. 6, the situation of transferring the substrates B1, B2 on conveyance jig top 14 to the upper and lower adsorption plates 21, 42 within the vacuum adhesion chamber R2 is explained.

After the conveyance jig 14 moves to the vacuum adhesion chamber R2, the servo motor 36 is operated to guide the upper adsorption plate 42 to a guide 40 by the shaft 37 to descend together with a pressurization plate 41 and approach to the upper substrate B2. In this state, by applying a voltage to an electrode for electrostatic adsorption contained internally in the upper adsorption plate 42, the upper substrate B2 is adsorbed electrostatically to the lower face of the upper adsorption plate 42 and a pressurization plate 41 is raised to lift the upper substrate B2 from the conveyance jig 14. By furthermore raising a pin 32 with the pneumatic cylinder 33, the lower substrate B1 is also raised from the conveyance jig 14. Also, at this time, both substrates B1 and B2 are still separated from each other.

In this state, by inversely rotating both conveyance rollers 11 and 22 to

return the conveyance jig 14 to the reserve vacuum chamber R1, the gate valve 3 is closed to descend the pin 32 to apply a voltage to the electrode for electrostatic adsorption contained internally in the lower adsorption plate (lower table) 21 and adsorb electrostatically the lower substrate B1 onto the lower adsorption plate 21.

5           Next, the upper adsorption plate 42 is descended to the lower adsorption plate 21 side and the upper substrate B2 is approached to the lower substrate B1.

          In this state, through the window 43 mounted in the upper part of the vacuum adhesion chamber R2, the positioning mark located in each substrate B1, B2 is read with the image recognition camera 44 to measure the position by the  
10 image processing, each stage 23a and 23b of the XY $\theta$  stage 23 are moved slightly and a higher precision positioning (a positioning of the substrates B1, B2 each other) is performed.

          In such slight movement, the bellows 31 maintains vacuum in the vacuum adhesion chamber (vacuum chamber) R2 to movement of XY direction, and the  
15 vacuum seal 29 maintains vacuum in this chamber to movement of  $\theta$  direction.

          After positioning, the pressurization plate 41 is descended a position that the lower face of the upper substrate B2 contact with a sealing agent 15 and liquid crystal 16 on the lower substrate B1 to pressurize both substrates B1 and B2. In such descent process, the positioning mark is read to measure a position by the

image processing, and it is made for a position difference location of the upper and lower substrates not to occur.

When the upper substrate B2 contacts with the sealing agent 15, the liquid crystal 16 becomes to a state surrounded by both substrates B1, B2 and the  
5 sealing compound 15.

The upper and lower substrates B1, B2 is passed through each perforations mounted a window (not shown) of the vacuum adhesion chamber R2, the pressurization plate 41 and the upper adsorption plate 42 in the pressurization state, UV light is irradiated to UV adhesive 15 applied in advance between both  
10 substrates B1, B2 by using the UV irradiation light source (not shown), and both the substrates are fixed temporarily. Until performing such temporary fixing, both substrates B1, B2 are adsorbed to each of the upper and lower adsorption plate in parallel each other to allow a higher precision performance of the positioning, and also, a parallel spacing of both substrates B1, B2 is narrowed more and more so  
15 that a spacer for maintaining constantly a spacing between both substrates B1, B2 distributed can be located in an intact position.

Next, the voltage applied to to the electrode for electrostatic adsorption contained internally in the lower adsorption plate 21 is turned off, the pressurization plate 41 is raised while raising the pin 32 to apply a voltage the electrode for

electrostatic adsorption contained internally in the upper adsorption plate 42, and the upper and lower substrates B1, B2 united by temporary fixing are adsorbed electrostatically to the lower face of the upper adsorption plate 42. Then, the pin 32 is descended to open the gate valve 4 between the vacuum adhesion chamber R2 and the atmosphere releasing chambers R3 made to have the same degree of vacuum in advance to rotate inversely the conveyance roller 51 of the atmosphere releasing chamber R3 with the conveyance roller 22 of the vacuum adhesion chamber R2 and carry in the flat adsorption plate 52 to the vacuum adhesion chamber R2.

10 Fig. 7 shows a state that the flat adsorption plate 52 is moved to the lower part the upper adsorption plate 42 of the vacuum adhesion chamber R2.

Next, by descending the upper adsorption plate 42 together with the pressurization plate 41 onto the flat adsorption plate 52 to turn off the voltage applied to the electrode for electrostatic adsorption contained internally in the upper  
15 adsorption plate 42, the substrate B1, B2 united by temporary fixing are transferred onto the flat adsorption plate 52.

Next, after flat adsorption plate 52 is conveyed to the atmosphere releasing chamber R3 by rotating forwardly the conveyance roller 51 of the atmosphere releasing chamber R3 with the conveyance roller 22 of the vacuum adhesion

chamber R2, the gate valve 4 is closed.

After carrying in the flat adsorption plate 52 to the atmosphere releasing chamber R3, the the vacuum suction chamber 53 is raised with the rise-and-fall shaft 58 (refer to Fig. 4) to contact the lower face of the flat adsorption plate 52 on  
5 the conveyance roller 51 and the vacuum suction chamber 53 is exhausted through the tube 54.

In this state, when the gate valve 8 is closed and the atmosphere releasing valve 9 is opened to open the atmosphere releasing chamber R3 to the atmospheric pressure, the atmospheric pressure is applied to the temporarily fixed  
10 substrates B1, B2 in the state vacuum sucked in the flat adsorption plate to pressurizes them. In this case, the flat adsorption plate 52 maintains the surface smoothness of the temporarily fixed substrates B1, B2.

After the pressurization by the atmospheric pressure, the vacuum action of the vacuum suction chamber 53 through the tube 54 is stopped to open to the  
15 atmosphere, the pin 56 is raised, the gate valve 5 is opened to insert the robot hand (not shown), and after the cell pressurized with the adhesion atmospheric pressure is transferred onto the robot hand, it is taken out .

Where the gate valves 3, 4 is opened and the vacuum adhesion chamber R2 is in communication with the reserve vacuum chamber R1 or the atmosphere

releasing chamber R3, since each of these chambers R1, R2 maintains vacuum, it is not needed to make the vacuum adhesion chamber R2 to vacuum, and since it is not occurred to apply newly the atmospheric pressure to the vacuum adhesion chamber R2 to deform it, the adhesion of both substrates B1, B2 can be performed  
5 time-efficiently and at higher precision.

And, since it is possible to perform in parallel the actuation that the gate valve 3 is opened to carry in the substrates B1, B2 mounted on the conveyance jig 14 from the reserve vacuum chamber R1 to the vacuum adhesion chamber R2 at the time of carrying out a suitable substrate to the atmosphere releasing chamber  
10 R3 together with the flat adsorption plate 52 and closing the gate valve, a productivity can be increased further.

The present invention is not limited to the above-mentioned embodiment and can also be carried out in the following modes and the like.

1. The vacuum adhesion chamber has not the reserve vacuum chamber or  
15 the atmosphere releasing chamber and the like, and carries in and out each substrates, or the cell after adhesion by the robot hand the like. Although the latency time for exhausting vacuum adhesion chamber is required since there is no communication with the reserve vacuum chamber or the atmosphere releasing chamber, the time for exhausting is shortened since there is no driving system of a

table within the vacuum adhesion chamber and the volume of the vacuum adhesion chamber is small, and vacuation does not take time amount.

2. A material of the so-called bellow or wrinkle shape which is combined airtightly with periphery and inner circumference of a plurality of circular ring dish-shaped metal plate is used as an elastic body which replaces bellows 31. Also, in the bellows, considering the functional separation of an airtightness and an elasticity, a material of a concentric dual structure of a tube-type elastic elastic body for the airtightness and a spiral sprin for elasticity can be used.

3. In Fig. 3, the lower table is fixed in the XY-axial direction, and the upper table is movable in each of the XY $\theta$  direction in an elastic body, a linear guide, a vacuum seal, a rotation bearing and the like. In this case, since a weight of the upper table is transferred to the vacuum adhesion chamber through the linear guide, there is little loading to the elastic body.

4. In Fig. 3, a fixing of the substrates of the lower table and the upper table is performed in parallel to a vacuum adsorption. In the case that the vacuum adhesion chamber is in vacuum state, the substrate is prevented from falling owing to disappearance of substrate adsorption force in the upper table and a drop-preventing projection for maintaining the substrate in the lower part of the upper table until an electrostatic adsorption is made is mounted separably so a substrate

pressurization is not disturbed.

5. The rise-and-fall means of the lower adsorption plate 21 is contained internally in plinth section 21a to raise the lower adsorption plate 21 to the upper adsorption plate 42 and perform temporary fixing of the substrates B1, B2.

#### 5 [Effect of the Invention]

As explained above, according to the substrate adhesion apparatus of the present invention, an adhesion of the substrate in a vacuum can be performed at higher precision.



[Brief Description of the Drawings]

Fig. 1 is a drawing showing the configuration of the substrate adhesion apparatus which is an embodiment of the present invention.

Fig. 2 is a cross-sectional view showing the internal structure of the reserve vacuum chamber in the substrate adhesion apparatus of Fig. 1.

Fig. 3 is a cross-sectional view showing the internal structure of the vacuum adhesion chamber in the substrate adhesion apparatus of Fig. 1.

Fig. 4 is a cross-sectional view showing the internal structure of the atmosphere releasing chamber in the substrate adhesion apparatus of Fig. 1.

Fig. 5 is a drawing for explaining a substrate adhesion process in the reserve vacuum chamber shown in Fig. 2.

Fig. 6 is a drawing for explaining the substrate adhesion process in the vacuum adhesion chamber shown in Fig. 3.

Fig. 7 is a drawing for explaining the substrate adhesion process in the vacuum adhesion chamber shown in Fig. 3.

[Meaning of numerical symbols in the drawings]

R1: Reserve vacuum chamber

R2: Vacuum adhesion chamber (vacuum chamber)

	R3: Atmosphere releasing chamber	B2: upper substrate
	B1: lower substrate	1: Substrate adhesion apparatus
	2-6, 8: gate valve	7, 9: Atmosphere releasing valve
	11, 22, 51: Conveyance roller	12, 55: Vacuum pump
5	15: Sealing agent	16: Liquid crystal
	21: lower table (adsorption plate)	21a: Plinth section
	23: XY $\theta$ stage	23a: XY stage
	23b: $\theta$ stage	26, 30: Driving motor
	25, 27: Linear guide	24: Driving block
10	28: Rotation bearing	29: Vacuum seal
	31: Bellows (Elastic body)	33, 57: Pneumatic cylinder
	36: Servo motor	42: Upper table (Adsorption plate)
	43: Window	44: Image recognition camera

\* 국문 번역문에서, bulb(벌브)를 모두 valve(밸브)로 번역한 것 같습니다만,  
영역에 있어서 원문에 충실히 함을 원칙으로 하여 valve로 번역하였습니다.  
확인하여 주십시오.

(19) 日本国特許庁 (JP)

(12) 公開特許公報 (A)

(11) 特許出願公開番号  
特開2001-305563  
(P2001-305563A)

(43) 公開日 平成13年10月31日 (2001.10.31)

(51) Int.Cl. <sup>7</sup>	識別記号	F I	テマコード (参考)
G 0 2 F 1/1339	5 0 5	G 0 2 F 1/1339	5 0 5 2 H 0 8 9
G 0 9 F 9/00	3 3 8	G 0 9 F 9/00	3 3 8 5 E 3 4 4
H 0 5 K 1/14		H 0 5 K 1/14	A 5 G 4 3 5

審査請求 未請求 請求項の数 5 OL (全 8 頁)

(21) 出願番号	特願2000-123714(P2000-123714)	(71) 出願人	000233077 日立テクノエンジニアリング株式会社 東京都足立区中川四丁目13番17号
(22) 出願日	平成12年4月19日 (2000.4.19)	(72) 発明者	平井 明 茨城県竜ヶ崎市向陽台5丁目2番 日立テクノエンジニアリング株式会社開発研究所内
		(72) 発明者	八幡 聡 茨城県竜ヶ崎市向陽台5丁目2番 日立テクノエンジニアリング株式会社開発研究所内
		(74) 代理人	100059269 弁理士 秋本 正実

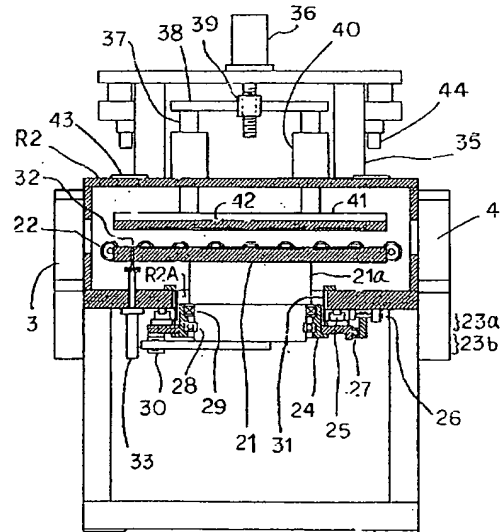
最終頁に続く

(54) 【発明の名称】 基板貼合装置

(57) 【要約】

【課題】 真空中での基板の貼り合せを高精度に行うことができる基板貼合装置を提供することである。

【解決手段】 貼り合わせるべき基板同士をそれぞれ上下に保持して対向させ、位置決めを行うとともに間隔を狭めて、少なくともいずれかの基板に設けた接着剤により真空中で両基板を貼り合わせる基板貼合装置であり、真空チャンバ内に上面または下面に両基板の一方を脱着自在に固着させる第一のテーブルと下面または上面に両基板の他方を脱着自在に固着させる第二のテーブルをそれぞれの基板を固着させる上面および下面が対向するように備え、両テーブルの一方は弾性体を介して真空チャンバと気密に移動可能に結合しており、かつ該一方のテーブルは弾性体で区画された真空チャンバの大気側に真空チャンバに対して少なくとも水平方向に移動する駆動手段を備え、他方のテーブルは少なくとも基板同士の対向した間隔を狭める駆動手段を備えている。



【特許請求の範囲】

【請求項1】貼り合わせるべき基板同士をそれぞれ上下に保持して対向させ、位置決めを行うとともに間隔を狭めて、少なくともいずれかの基板に設けた接着剤により真空中で両基板を貼り合わせる基板貼合装置において、真空チャンバ内に上面または下面に両基板の何れか一方を脱着自在に固着させる第一のテーブルと下面または上面に両基板の他方を脱着自在に固着させる第二のテーブルをそれぞれの基板を固着させる上面および下面が対向するように備え、両テーブルの一方は弾性体を介して真空チャンバと気密に移動可能に結合しており、かつ該一方のテーブルは前記弾性体で区画された真空チャンバの大気側に真空チャンバに対して少なくとも水平方向に移動させる駆動手段を備えると共に、両方のテーブルのいずれかは少なくとも基板同士の対向した間隔を狭める駆動手段を備えていることを特徴とする基板貼合装置。

【請求項2】上記請求項1に記載のものにおいて、一方のテーブルの駆動手段は一方のテーブルを真空チャンバに対してリニヤガイドを介して移動させるとともに、真空チャンバとリニヤガイドの間に蛇腹状の弾性体とこの弾性体で区画された大気側に真空シールとベアリングを設けていることを特徴とする基板貼合装置。

【請求項3】上記請求項1に記載のものにおいて、一方のテーブルが真空チャンバ内の下側のテーブルであることを特徴とする基板貼合装置。

【請求項4】上記請求項1に記載のものにおいて、他方のテーブルは基板同士の間隔を狭める垂直方向の駆動手段を備え、一方のテーブルの駆動手段は水平方向の駆動のみを分担することを特徴とする基板貼合装置。

【請求項5】上記請求項1に記載のものにおいて、真空チャンバの前後に真空予備室と大気開放室を備え、各室はゲートバルブで仕切られていて、それらのゲートバルブの開放で室相互間あるいは大気中と連通し基板の搬送をするようになっていることを特徴とする基板貼合装置。

【発明の詳細な説明】

【0001】

【発明の属する技術分野】本発明は基板貼合装置に係わり、特に真空チャンバ内で貼り合わせる基板同士をそれぞれ保持して対向させ、間隔を狭めて貼り合わせる液晶表示パネルなどの組立に好適な基板貼合装置に関するものである。

【0002】

【従来の技術】液晶表示パネルの製造には、透明電極や薄膜トランジスタアレイを設けた2枚のガラス基板を数 $\mu\text{m}$ 程度の極めて接近した間隔をもって基板の周縁部に設けた接着剤（以下、シール剤ともいう）で貼り合せ（以後、貼り合せ後の基板をセルと呼ぶ）、それによって形成される空間に液晶を封止する工程がある。

【0003】この液晶の封止には、注入口を設けないよ

うにシール剤をクローズしたパターンに描画した一方の基板上に液晶を滴下しておいて、真空チャンバ内において他方の基板を一方の基板上に配置し、上下の基板を接近させて貼り合わせる特開平10-26763号公報で提案された方法などがある。

【0004】

【発明が解決しようとする課題】上記従来技術では、真空中での基板の保持を下側の基板は平坦なステージに載置しているが、上側の基板はその周縁の適宜な個所をピン状の部材などで支えるようにしている。その後、上下の両基板は相互の位置決めをしてから間隔を狭めて貼り合せを行うが、位置決めの際、上側の基板の中央部が重力により下方に撓んで、上下の両基板の正確な位置決めをすることが困難であり、撓み量は大型の基板になればなるほど増大し、表示パネルは大型化の傾向にあり、上記従来技術では正確な基板貼り合せがますます困難になってきた。

【0005】さらに、上下の基板を真空チャンバの中に直接搬送し、搬送後にチャンバ内を大気圧から真空に排気するため排気に時間がかかり、生産性を高くすることができないという問題もある。

【0006】それゆえ本発明の目的は、真空中での基板の貼り合せを高精度に行うことができる基板貼合装置を提供することにある。

【0007】さらに、本発明の他の目的は、基板が大型化しても貼り合せを高精度かつ高速に行うことができ、生産性が高い基板貼合装置を提供することにある。

【0008】

【課題を解決するための手段】上記目的を達成する本発明の特徴とすることは、貼り合わせるべき基板同士をそれぞれ上下に保持して対向させ、位置決めを行うとともに間隔を狭めて、少なくともいずれかの基板に設けた接着剤により真空中で両基板を貼り合わせる基板貼合装置において、真空チャンバ内に上面または下面に両基板の何れか一方を脱着自在に固着させる第一のテーブルと下面または上面に両基板の他方を脱着自在に固着させる第二のテーブルをそれぞれの基板を固着させる上面および下面が対向するように備え、両テーブルの一方は弾性体を介して真空チャンバと気密に移動可能に結合しており、かつ該一方のテーブルは前記弾性体で区画された真空チャンバの大気側に真空チャンバに対して少なくとも水平方向に移動する駆動手段を備えると共に、両方のテーブルのいずれかは少なくとも基板同士の対向した間隔を狭める駆動手段を備えていることにある。

【0009】また本発明の特徴とするところは、一方のテーブルの駆動手段は一方のテーブルを真空チャンバに対してリニヤガイドを介して移動させるとともに、真空チャンバとリニヤガイドの間に弾性体とこの弾性体で区画された大気側に真空シールとベアリングを設けていることにある。そして、弾性体は、ベローズや複数の円環

皿状ダイヤフラムの外周端同士および内周端同士を交互に気密に結合したものの蛇腹状のものである。

【0010】本発明の他の特徴とするところは、一方のテーブルが真空チャンバ内の下側のテーブルであることにある。

【0011】さらに、本発明の他の特徴とするところは、他方のテーブルは基板同士の間隔を狭める垂直方向の駆動手段を備え、一方のテーブルの駆動手段は水平方向の駆動のみを分担することにある。

【0012】本発明のさらに他の特徴とするところは、真空チャンバの前後に真空予備室と大気開放室を備え、各室はゲートバルブで仕切られていて、それらのゲートバルブの開放で室相互間あるいは大気中と連通し基板の搬送をするようになってきていることにある。

【0013】

【発明の実施の形態】以下、本発明の一実施形態を図に基づいて説明する。図1において、1は本発明になる基板貼合装置で、予備真空室R1、真空貼合室(真空チャンバ)R2、大気開放室R3を備えている。2〜5は各室R1〜R3の出入口に設けたゲートバルブである。なお、構造説明において、予備真空室R1、真空貼合室R2および大気開放室R3と呼ぶ場合、各室を構成するハウジングを指している。

【0014】各室R1〜R3の内部には図の左から右に向けて、貼り合わせるべき基板を搬送していく搬送路が同一水平位置にあり、具体的構成を図2以降で説明する。

【0015】後述するように、予備真空室R1および大気開放室R3を除いた真空貼合室R2は、狭義の基板貼合装置である。

【0016】図2は、予備真空室R1の内部構造を示している。11は予備真空室R1の内部に設けた複数の搬送ローラで、正逆回転することで後述する貼り合わせるべき基板を載置する搬送治具を図において左右両方向に搬送する。

【0017】外気と予備真空室R1内部は、ゲートバルブ2の閉鎖により真空遮断できるようになっている。6は予備真空室R1の架台に設けたゲートバルブで、その開放で真空ポンプ12により予備真空室R1内を真空排気するようになっている。7は大気開放バルブで、その開放により予備真空室R1内を大気あるいはガスでパージし、大気圧に戻すことができるようになっている。

【0018】予備真空室R1と真空貼合室R2の間にはゲートバルブ3があり、各室内の圧力を独立して変更できるようにになっている。

【0019】図3は、真空貼合室R2の内部構造を示している。この図では省略しているが、真空貼合室R2の下部にも予備真空室のゲートバルブ6と同様のバルブがあり、図示を省略した真空ポンプにより室内を真空排気できるようにになっている。

【0020】21は下テーブルで、その支持構造は後述

する。22は下テーブル21を図において前と後に挟むように真空貼合室R2の内部に設けた複数の搬送ローラで、正逆回転することで後述する貼り合わせるべき基板を載置する搬送治具を図において左右両方向に搬送する。

【0021】下テーブル21は、その台座部21aが真空貼合室R2の下部における開孔部R2Aを貫通し、台座部21aにおいてXYθステージ23で支持されている。XYθステージ23は、XYステージ23aとθステージ23bから構成されている。XYステージ23aは下テーブル21をXY方向に交差した上下2段のクロスリニアガイドによりXY方向に移動可能に支持している。

【0022】即ち、25は駆動モータ26と図示を省略した駆動モータにより駆動ブロック24を真空貼合室R2に対して図の左右であるX軸方向と前後であるY軸方向とに移動させるクロスリニアガイドであり、27は駆動ブロック24がY軸方向に移動しても駆動モータ26で駆動ブロック24をX軸方向に押し移動するようにするリニアガイドである。

【0023】θステージ23bはXYステージ23aの内側にあり、回転ベアリング28と真空シール29を介して駆動モータ30によりXYステージ23aに対して回転可能としている。さらに、θステージ23b上に基板を搭載する下テーブル21が固定されており、駆動モータ30が作動すると、下テーブル21はXYステージ23aや真空貼合室R2に対して回転ベアリング28と真空シール29を介して回転する。

【0024】31は開孔R2Aにおいて真空貼合室R2と駆動ブロック24の間に設けたベローズ(弾性体)で、駆動ブロック24がクロスリニアガイドでXY各方向に移動して下テーブル21を移動させても、大気に対して真空貼合室R2内の気密を保持する。因みに、台座21aの回転に対しては、真空シール29が真空貼合室R2内の気密を保持する。

【0025】32は下テーブル21に組込んだ基板昇降用のピンで、ピンの下端は真空貼合室R2の下方に設けた空圧シリンダ33の駆動軸の上端部に接触衝合している。従って、下テーブル21が前後左右のXY各方向に移動しても、ピン32は空圧シリンダ33の駆動軸の上端ピン受け部を水平に滑るだけである。後述する搬送治具の構成上の理由で、ピン32は下テーブル21の左方端側中央部に1本、そして右方向搬送方向に対して垂直な幅方向の両側に各1本づつ、合計3本ある。

【0026】35は真空貼合室R2の上外部に設けたフレームで、フレーム35に回転軸が下方に伸びたサーボモータ36を固定している。サーボモータ36の回転軸は真空貼合室R2を貫通したシャフト37のアーム38に固定したナット39と螺合している。40は前記シャフト37と真空貼合室R2との気密を保持するガイドである。シャフト37の下端には加圧板41を介して上テ

ーブル42を下テーブル21と対向するように固定している。サーボモータ36の作動でシャフト37を介して上テーブル42が上下する。

【0027】後述するように、各テーブル21、42に基板を固着して位置合せを行うために、真空貼合室R2を貫通する開孔に気密に設けたガラス製覗き窓43があり、この覗き窓43上のフレーム35に画像認識カメラ44を設けている。なお、覗き窓43直下の上テーブル42の部分にも開孔があり、上テーブル42の下面に固着した上基板と下テーブル21の上面に固着した下基板の位置合せマークを読み取ることができるようになって

いる。  
【0028】各テーブル21、42は静電吸着用電極を備え、静電気により基板を吸着吸引するように構成されている。従って、以下の説明において両テーブル21、42を吸着板と呼ぶこともある。

【0029】下テーブル21をベローズ31で気密に弾性支持する理由であるが、真空貼合室R2を真空状態とすると、ベローズ31の外径を受圧面とする大気圧が台座21aを上方に押し上げる方向に働く。この場合の大気圧力と台座21aなどの重力の差分をクロスリニアガイド25および回転ベアリング28で受けて、ベローズ31に負担が掛からないようになっている。この場合の大気圧力と台座21aなどの重力をほぼ同等にすれば、基板位置合せ時の下テーブル(吸着板)21のXY各方向への移動にあたり下テーブル(吸着板)21やベローズ31に作用する大気圧を意識しなくて済み、基板位置合せを円滑に行うことができる。また、下テーブル(吸着板)21の駆動系は大気側に存在しているため、真空貼合室R2の大きさを上下基板の貼り合に必要の各吸着板21、42などを内蔵する程度の狭い空間に限定でき、内部を高速に真空化することができる。

【0030】真空貼合室R2と大気開放室R3の間はゲートバルブ4により真空遮断できる。

【0031】図4は大気開放室R3の内部構造を示している。51は正逆回転で平面吸着板52上に真空貼合室R2で貼り合せたセルを載せて搬入する搬送ローラである。平面吸着板52には、基板を真空吸着するための吸着孔があり、大気開放室R3の内部に昇降可能に設置した真空吸引チャンバ53を上昇させ、平面吸着板52を載置し一体化することにより、大気開放室R3を大気開放した際にチューブ54を通して真空引きすることによりセルを真空吸引チャンバ53を介して平面吸着板52上に真空吸引するように構成されている。

【0032】8は大気開放室R3の下部に設けたゲートバルブで、真空ポンプ55に接続するとともに、大気開放バルブ9により大気開放室R3を大気に開放できるようになっている。

【0033】真空吸引チャンバ53の下部には、平面吸着板52と真空吸引チャンバ53を貫通して平面吸着板

52上のセルを持ち上げる昇降ピン56を設けている。57は昇降ピン56を動作させる空圧シリンダである。昇降ピン56と空圧シリンダ57は左右前後に4本あって、セルを4隅で支持する。

【0034】大気開放室R3の出口にはゲートバルブ5があり、バルブ開放で大気圧で加圧し本貼り合せをしたセルをロボットハンド等で搬出する。

【0035】次に、本装置1で基板を貼り合せ、セルを製作する工程について、予備真空室R1に基板を搬入した状態から順次説明する。

【0036】図5において、14は額縁における一方の短辺を除去した外形がコ字状で、貼り合せる基板B1、B2を内壁の下段部と上段部の棧や突起部などに上下に間隔をもって載置する搬送治具である。下側の基板(下基板)B1はシール剤15を上面の周縁部に枠型に塗布し、その枠内に液晶16を複数の個所に滴下したものである。この基板B1上に搬送治具14の内壁における突起で基板B1の上面から一定の間隔を保って上側の基板(上基板)B2を載置している。

【0037】ゲートバルブ3を閉めた状態でゲートバルブ2を開け、搬送ローラ11で搬送治具14に設置した上下基板B1、B2を予備真空室R1に搬入した後、ゲートバルブ2を閉じる。その後、ゲートバルブ6を開き、予備真空室R1内を真空ポンプ12で高速に排気する。

【0038】予備真空室R1の真空度が真空貼合室R2とほぼ同じ値に到達した時点でゲートバルブ3を開け、予備真空室R1の搬送ローラ11と真空貼合室R2の搬送ローラ22を正回転させて、搬送治具14を真空貼合室R2内に搬入する。なお、真空貼合室R2は、予め、図示を省略した真空ポンプにより真空排気している。

【0039】次に、図6により真空貼合室R2内で搬送治具上14上の基板B1、B2を上下の吸着板21、42に移載する状況を説明する。

【0040】搬送治具14が真空貼合室R2に移動した後、サーボモータ36を動作させて上吸着板42をシャフト37によりガイド40で案内して加圧板41とともに下降させ、上基板B2に近接させる。この状態で上吸着板42に内蔵している静電吸着用電極に電圧を印加することにより、上基板B2を上吸着板42の下面に静電吸着し、加圧板41を上昇させて上基板B2を搬送治具14から持ち上げる。さらに空圧シリンダ33でピン32を上昇させることにより、下基板B1も搬送治具14から持ち上げる。なお、この時点で両基板B1、B2は、まだ離れている。

【0041】この状態で搬送ローラ11、22を共に逆回転させて搬送治具14を予備真空室R1に戻し、ゲートバルブ3を閉じ、ピン32を下降させ、下吸着板(下テーブル)21に内蔵した静電吸着用電極に電圧を印加して、下吸着板21上に下基板B1を静電吸着する。

【0042】次に上吸着板42を下吸着板21側に下降させて、上基板B2を下基板B1に近づける。

【0043】この状態で、真空貼合室R2の上部に設けた覗き窓43を通して、画像認識カメラ44で各基板B1、B2に設けられている位置合わせマークを読み取って画像処理により位置を計測し、XY $\theta$ ステージ23の各ステージ23a、23bを微動させて、高精度な位置決め(基板B1、B2相互の位置合せ)を行う。

【0044】この微動において、XY方向の移動に対してはベローズ31が、また $\theta$ 方向の移動(回転)に対しては真空シール29が真空貼合室(真空チャンバ)R2内の真空を維持している。

【0045】位置決め終了後、加圧板41を上基板B2の下面が下基板B1上のシール剤15および液晶16に接する位置まで下降させ、両基板B1、B2を加圧する。この下降過程に於いても、位置合せマークを読み取って画像処理により位置を計測し、上下基板の位置ずれが生じないようにする。

【0046】上基板B2がシール剤15と接すると、液晶16は両基板B1、B2とシール剤15で囲まれた状態となる。

【0047】上下の基板B1、B2を加圧した状態で、真空貼合室R2の図示を省略した覗き窓ならびに加圧板41、上吸着板42のそれぞれに設けた貫通孔を通して、図示を省略したUV照射光源を用い、上下基板B1、B2間に予め塗布しておいたUV接着剤15にUV光を照射し、両基板B1、B2を仮固定する。この仮固定を行うまで、両基板B1、B2は上下各吸着板に互いに平行に吸着されている位置合せを高精度に実行できるだけでなく、両基板B1、B2を平行なまま間隔を狭めていくので散布している両基板B1、B2間の間隔を一定に保つためのスペースをそのままの位置に留め置くことができる。

【0048】次に、下吸着板21に内蔵の静電吸着用電極に印加している電圧を切断し、ピン32を上昇させながら加圧板41を上昇させ、上吸着板42に内蔵の静電吸着用電極に電圧を印加し、仮固定で一体化した上下の基板B1、B2を上吸着板42の下面に静電吸着した状態とする。この後、ピン32を下降させ、予め真空貼合室R2と同じ真空度とした大気開放室R3との間のゲートバルブ4を開け、真空貼合室R2の搬送ローラ22と大気開放室R3の搬送ローラ51を逆回転させて、平面吸着板52を真空貼合室R2に搬入する。

【0049】図7は、平面吸着板52が真空貼合室R2の上吸着板42の下に移動した状態を示している。

【0050】次に、上吸着板42を加圧板41とともに平面吸着板52上に下降させ、上吸着板42に内蔵の静電吸着用電極に印加している電圧を切断することにより、仮固定で一体化した基板B1、B2を平面吸着板52上に移載する。

【0051】次に真空貼合室R2の搬送ローラ22と大気開放室R3の搬送ローラ51を正回転させ、平面吸着板52を大気開放室R3に搬送後、ゲートバルブ4を閉じる。

【0052】大気開放室R3に平面吸着板52を搬入した後、真空吸引チャンバ53を昇降シャフト58(図4参照)で上昇させ、搬送ローラ51上の平面吸着板52の下面に当接させ、真空吸引チャンバ53はチューブ54を通して真空引きしておく。

【0053】この状態でゲートバルブ8を閉じ、大気開放バルブ9を開け、大気開放室R3を大気圧に開放すると、仮止めした基板B1、B2には、平面吸着板52に真空吸引された状態で大気圧が掛かり加圧される。この場合、平面吸着板52は仮止めした基板B1、B2の平坦性を維持している。

【0054】大気圧による加圧後、真空吸引チャンバ53のチューブ54を通しての真空引きを止めて大気に開放し、ピン56を上昇し、ゲートバルブ5を開け、図示していないロボットハンドを挿入し、ロボットハンド上に貼り合せ大気圧で加圧したセルを移載した後、取り出す。

【0055】ゲートバルブ3、4を開放し、真空貼合室R2を予備真空室R1あるいは大気開放室R3と連通する場合、それら各室R1、R3は真空に維持されているので、真空貼合室R2を真空にする必要はなく真空貼合室R2に大気圧が新たに作用して変形するようなことはないので、そのまま両基板B1、B2の貼り合せを時間効率よくまた高精度で実行できる。

【0056】そして、大気開放室R3に平面吸着板52とともに貼り合わせた基板を搬出し、ゲートバルブ4を閉じた時点で、ゲートバルブ3を開け、搬送治具14上に設置しておいた基板B1、B2を予備真空室R1から真空貼合室R2に搬入する動作を並行して行うことができるので、生産性を一層上げることができる。

【0057】本発明は上記実施形態に限定されるものではなく、以下の態様などで実施することもできる。

【0058】1. 真空貼合室が、予備真空室や大気開放室などを備えておらず、各基板や貼着後のセルをロボットハンドなどで搬入搬出する。予備真空室や大気開放室との連通がないので、真空貼合室真空化の待ち時間が必要であるが、それでも真空貼合室内にテーブルの駆動系がなく真空貼合室の容積は小さくなっていて、真空化に時間が掛からない。

【0059】2. ベローズ31に代わる弾性体として、円環皿状の複数の金属板の外縁と内縁を交互に気密に結合した、所謂、蛇腹状あるいは提灯形状をしているものを使用する。さらには、ベローズにおける気密性と弾性を機能分離し気密性を重視した筒状弾性体と弾性を重視した螺旋バネを同心二重構造としたものなども使用できる。



【0060】3. 図3での下テーブルをXY軸方向に固定とし、上テーブルを弾性体やリニアガイド、真空シール、回転ベアリングなどでXYθ各軸方向に移動可能とする。この場合、上テーブルの重量はリニアガイドを通して真空貼合室に伝わり、弾性体に負担は殆ど掛からない。

【0061】4. 図3での下テーブルと上テーブルの基板固着に真空吸着を併用する。真空貼合室が真空状態にある場合、上テーブルでの基板吸着力消滅による基板落下を防止し、静電吸着をするまでの間基板を上テーブルの僅か下方に維持するための落下防止爪を基板加圧の邪魔にならぬよう退避可能に設ける。

【0062】5. 台座部21aに下吸着板21の昇降手段を内蔵させ、下吸着板21を上吸着板42側に上昇させて、基板B1, B2の仮固定を行なう。

【0063】

【発明の効果】以上説明したように本発明基板貼合装置によれば、真空中での基板の貼り合せを高精度に行うことができる。

【図面の簡単な説明】

【図1】本発明の一実施形態になる基板貼合装置の構成を示す図である。

【図2】図1の基板貼合装置における予備真空室の内部構造を示した断面図である。

【図3】図1の基板貼合装置における真空貼合室の内部構造を示した断面図である。

【図4】図1の基板貼合装置における大気開放室の内部構造を示した断面図である。

【図5】図2に示した予備真空室における基板貼り合せ工程を説明するための図である。

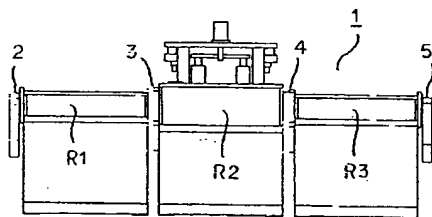
【図6】図3に示した真空貼合室における基板貼り合せ工程を説明するための図である。

【図7】図3に示した真空貼合室における基板貼り合せ工程を説明するための図である。

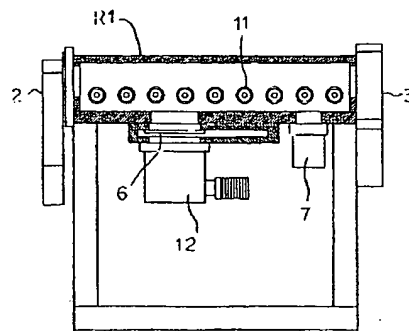
【符号の説明】

- R1…予備真空室
- R2…真空貼合室（真空チャンバ）
- R3…大気開放室
- B2…上基板
- B1…下基板
- 1…基板貼合装置
- 2～6, 8…ゲートバルブ
- 7, 9…大気開放バルブ
- 11, 22, 51…搬送ローラ
- 12, 55…真空ポンプ
- 15…シール剤
- 16…液晶
- 21…下テーブル（吸着板）
- 21a…台座部
- 23…XYθステージ
- 23a…XYステージ
- 23b…θステージ
- 26, 30…駆動モータ
- 25, 27…リニアガイド
- 24…駆動ブロック
- 28…回転ベアリング
- 29…真空シール
- 31…ベローズ（弾性体）
- 33, 57…空圧シリンダ
- 36…サーボモータ
- 42…上テーブル（吸着板）
- 43…覗き窓
- 44…画像認識カメラ

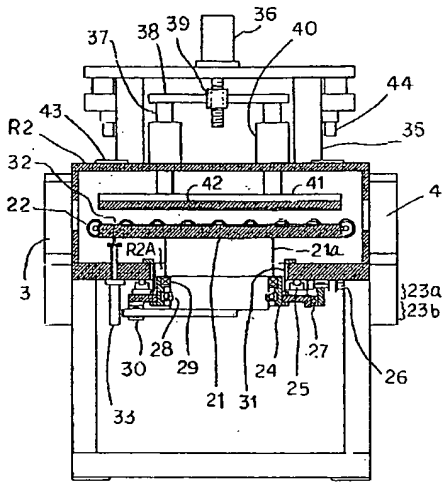
【図1】



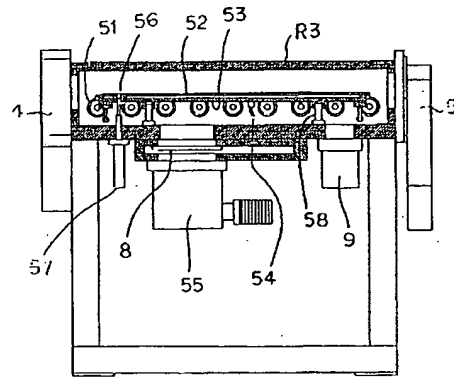
【図2】



【図3】

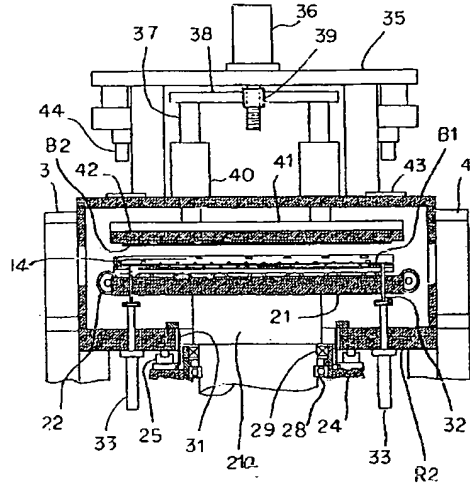
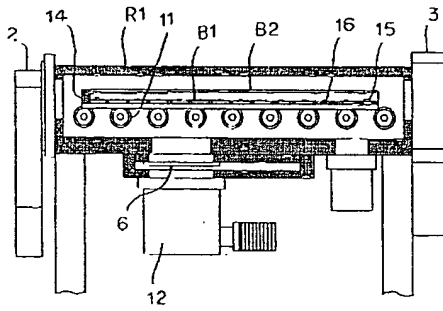


【図4】

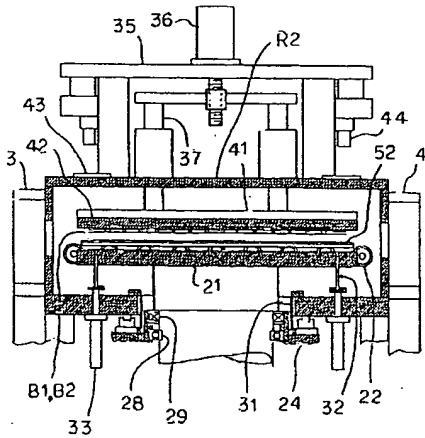


【図6】

【図5】



【図7】



フロントページの続き

(72)発明者 今泉 潔  
茨城県竜ヶ崎市向陽台5丁目2番 日立テ  
クノエンジニアリング株式会社開発研究所  
内

(72)発明者 齊藤 正行  
茨城県竜ヶ崎市向陽台5丁目2番 日立テ  
クノエンジニアリング株式会社開発研究所  
内

(72)発明者 遠藤 政智  
茨城県竜ヶ崎市向陽台5丁目2番 日立テ  
クノエンジニアリング株式会社開発研究所  
内

Fターム(参考) 2H089 NA22 NA32 NA39 NA49 NA60  
QA04 QA12 TA01  
5E344 AA01 AA15 BB06 CD01 DD14  
EE23  
5G435 AA17 BB12 KK05 KK10